

HeliFire 360



A head-turning architectural fire feature.

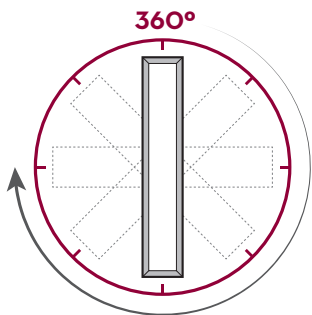
Our exciting new Town & Country HeliFire 360 adds a dramatic, eye-catching fire feature to any space.

Its long, luxurious flame casts a seductive glow and makes a bold design statement wherever it's installed. The HeliFire 360 will be the dominant focal point from which to build your dream environment around.

PRODUCT FEATURES

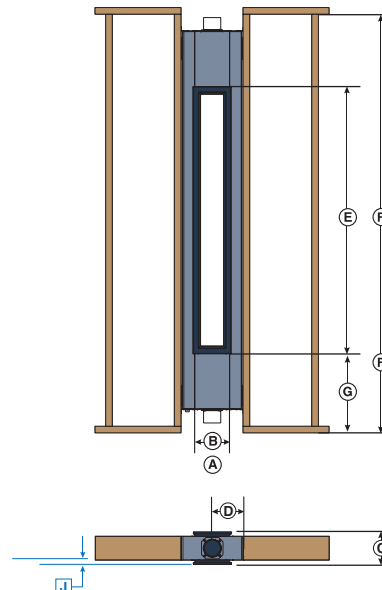
Natural Gas Only
 All 304 Stainless Steel Construction
 Single Sided and See-Thru
 Indoor, Outdoor, Indoor-Outdoor
 Cool Glass Technology
 Thermo pane glass for outdoor use
 22,000 Btu/Hr Input
 Efficiency 16.8% (NG) / 5.5% (LP)
 (Based on CPSCA P.4.1-15)

Please note: Due to elevation and fuel type, flame characteristics may not be exactly as shown.



THE POSSIBILITIES ARE ENDLESS

With its ingenious design and unique construction, HeliFire 360 offers endless installation options for every possible application - from vertical to horizontal and everything in between, one-sided to see-thru, indoor or outdoor. The only limit is your imagination.



HeliFire	inch	cm	
APPLIANCE DIMENSIONS	A	14 1/2	36.83
	B	8 13/16	22.38
	C	7 9/16	19.20
	D	3 3/4	9.52
	E	62 3/16	157.95
	F	99	251.46
	G	18 3/8	46.67
MINIMUM COMBUSTIBLE FRAMING DIMENSIONS (INCLUDING SHEETROCK)	H		
	I		
	J	3/8	0.95
	K		
	L		
	M		
	N		
	O		
P			

Weight: 147 lbs. | See Thru: 166 lbs.